

## Surface Mount Unshielded Power Inductors

### Drum Ni-Zn Core Surface Mount Unshielded Power Inductors CHTPW Series (DR 鎳鋅鐵芯表面接著型開磁式功率電感-----CHTPW 系列)



#### Features(特徵):

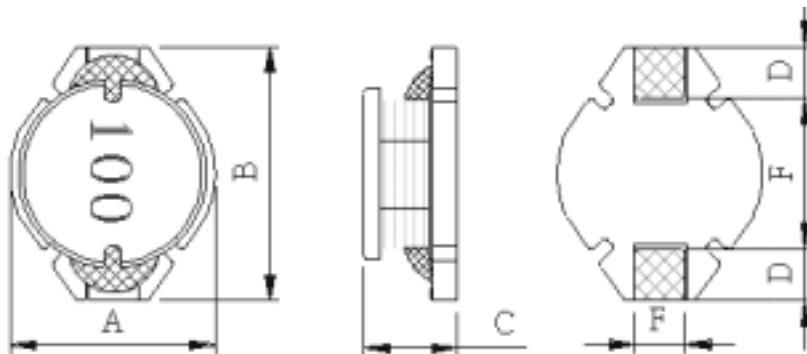
1. Low profile very effective in space-conscious applications. (高度扁薄，適用於有空間顧慮的應用。)
2. Low resistance and high energy storage. (低電阻及高能量儲存。)

#### Applications(應用):

Excellent as DC-DC Converter used in notebooks computers, PDA and mobile hand-phones. Step-down converters, flash memory.

適用於筆記型電腦、個人數位助理及行動電話中的直流—直流整流器，增壓或降壓整流器及快閃記憶體。

#### Shape & Dimensions(外觀呎吋):



Series Number	A (mm)	B (mm)	C (mm)	D (mm)	E (mm)	F (mm)
CHTPW2012	8.00 ± 0.2	10.50 ± 0.2	5.00 ± 0.3	2.10 ± 0.2	2.00 ± 0.2	6.00 ± 0.3
CHTPW3308	10.0 ± 0.2	12.70 ± 0.2	3.00 ± 0.3	2.40 ± 0.2	2.20 ± 0.2	7.60 ± 0.3
CHTPW3316	10.0 ± 0.2	12.70 ± 0.2	5.00 ± 0.3	2.40 ± 0.2	2.20 ± 0.2	7.60 ± 0.3
CHTPW3340	10.0 ± 0.2	12.70 ± 0.2	11.0 ± 0.5	2.40 ± 0.2	2.20 ± 0.2	7.60 ± 0.3
CHTPW5022	15.0 ± 0.3	18.40 ± 0.3	7.00 ± 0.5	2.40 ± 0.2	2.20 ± 0.2	13.30 ± 0.3

#### Specification(規格):

##### CHTPW2012 Series:

Part Number	Inductance (μH)	Test Frequency (Hz)	SRF (MHz) Typ	DC Resistance ( ) Max	I rms (A)	I sat (A)
CHTPW 2012-3R3M	3.3±20%	0.1V/100K	50	0.03	3.70	7.0
CHTPW 2012-4R7M	4.7±20%	0.1V/100K	40	0.018	3.30	6.0
CHTPW 2012-6R8M	6.8±20%	0.1V/100K	30	0.05	2.70	5.0
CHTPW 2012-100M	10±20%	0.1V/100K	23	0.06	2.30	4.0
CHTPW 2012-150M	15±20%	0.1V/100K	20	0.08	2.10	3.0
CHTPW 2012-220M	22±20%	0.1V/100K	16	0.13	1.60	2.5
CHTPW 2012-330M	33±20%	0.1V/100K	12	0.18	1.30	2.0
CHTPW 2012-470M	47±20%	0.1V/100K	11	0.26	1.10	1.8
CHTPW 2012-680M	68±20%	0.1V/100K	9.0	0.35	1.00	1.5
CHTPW 2012-101M	100±20%	0.1V/100K	7.0	0.58	0.70	1.0
CHTPW 2012-151M	150±20%	0.1V/100K	5.0	0.75	0.60	0.9
CHTPW 2012-221M	220±20%	0.1V/100K	4.0	1.05	0.50	0.8
CHTPW 2012-331M	330±20%	0.1V/100K	3.5	1.60	0.45	0.6

Other non standard Inductance value are available to meet your exact requirements.

- Note:
1. Inductance measured by LCR Meter HP 4284A.
  2. DC Resistance measured by Milliohm meter HP4338B.
  3. SRF measured by Network analyzer HP 4294/HP4291.
  4. SRF is for reference only.
  5. Temperature rise=40 max at I rms.
  6. L/L0A=10% typical at I sat.

## Surface Mount Unshielded Power Inductors

### CHTPW3308 Series:

Part Number	Inductance (μH)	Test Frequency (Hz)	SRF (MHz) Typ	DC Resistance ( ) Max	I rms (A)	I sat (A)
CHTPW 3308-100M	10±20%	0.1V/100K	35	0.11	2.00	2.40
CHTPW 3308-150M	15±20%	0.1V/100K	33	0.15	1.50	2.00
CHTPW 3308-220M	22±20%	0.1V/100K	25	0.23	1.30	1.60
CHTPW 3308-330M	33±20%	0.1V/100K	19	0.30	1.10	1.40
CHTPW 3308-470M	47±20%	0.1V/100K	14	0.39	0.80	1.00
CHTPW 3308-680M	68±20%	0.1V/100K	12	0.66	0.70	0.90
CHTPW 3308-101M	100±20%	0.1V/100K	10	0.84	0.60	0.70
CHTPW 3308-151M	150±20%	0.1V/100K	8	1.20	0.50	0.60
CHTPW 3308-221M	220±20%	0.1V/100K	6	1.90	0.40	0.50
CHTPW 3308-331M	330±20%	0.1V/100K	5	2.70	0.30	0.40
CHTPW 3308-471M	470±20%	0.1V/100K	4	4.00	0.20	0.20
CHTPW 3308-681M	680±20%	0.1V/100K	3	5.30	0.10	0.20
CHTPW 3308-102M	1000±20%	0.1V/100K	2.5	8.40	0.05	0.10

### CHTPW3316 Series:

Part Number	Inductance (μH)	Test Frequency (Hz)	SRF (MHz) Typ	DC Resistance ( ) Max	I rms (A)	I sat (A)
CHTPW 3316-1R0M	1.0±20%	0.1V/100K	150	0.009	6.8	9.0
CHTPW 3316-1R5M	1.5±20%	0.1V/100K	100	0.010	6.4	8.0
CHTPW 3316-2R2M	2.2±20%	0.1V/100K	85	0.012	6.1	7.0
CHTPW 3316-3R3M	3.3±20%	0.1V/100K	60	0.015	5.4	5.8
CHTPW 3316-4R7M	4.7±20%	0.1V/100K	45	0.018	4.8	5.2
CHTPW 3316-6R8M	6.8±20%	0.1V/100K	35	0.027	4.4	4.3
CHTPW 3316-100M	10±20%	0.1V/100K	25	0.038	3.9	3.4
CHTPW 3316-150M	15±20%	0.1V/100K	20	0.046	3.1	3.0
CHTPW 3316-220M	22±20%	0.1V/100K	18	0.085	2.7	2.5
CHTPW 3316-330M	33±20%	0.1V/100K	14	0.10	2.1	2.0
CHTPW 3316-470M	47±20%	0.1V/100K	11	0.14	1.8	1.8
CHTPW 3316-680M	68±20%	0.1V/100K	10	0.20	1.5	1.4
CHTPW 3316-101M	100±20%	0.1V/100K	7	0.28	1.3	1.1
CHTPW 3316-151M	150±20%	0.1V/100K	6.5	0.40	1.0	0.9
CHTPW 3316-221M	220±20%	0.1V/100K	5.0	0.61	0.8	0.8
CHTPW 3316-331M	330±20%	0.1V/100K	4.0	1.02	0.6	0.6
CHTPW 3316-471M	470±20%	0.1V/100K	3.0	1.27	0.5	0.5
CHTPW 3316-681M	680±20%	0.1V/100K	2.5	2.02	0.4	0.4
CHTPW 3316-102M	1000±20%	0.1V/100K	2.0	3.00	0.3	0.3

Other non standard Inductance value are available to meet your exact requirements.

Note: 1. Inductance measured by LCR Meter HP 4284A.

2. DC Resistance measured by Milliohm meter HP4338B.

3. SRF measured by Network analyzer HP 4294/HP4291.

4. SRF is for reference only.

5. Temperature rise=40 max at I rms.

6. L/LOA=10% typical at I sat.

## Surface Mount Unshielded Power Inductors

### CHTPW3340 Series:

Part Number	Inductance (μH)	Test Frequency (Hz)	SRF (MHz) Typ	DC Resistance ( ) Max	I rms (A)	I sat (A)
CHTPW 3340-100M	10±20%	0.1V/100K	23	0.040	3.50	7.00
CHTPW 3340-150M	15±20%	0.1V/100K	14	0.050	3.20	5.80
CHTPW 3340-220M	22±20%	0.1V/100K	8.5	0.066	2.90	4.80
CHTPW 3340-330M	33±20%	0.1V/100K	7.0	0.080	2.35	3.80
CHTPW 3340-470M	47±20%	0.1V/100K	6.5	0.11	2.10	3.40
CHTPW 3340-680M	68±20%	0.1V/100K	4.5	0.17	1.90	2.70
CHTPW 3340-101M	100±20%	0.1V/100K	4.0	0.22	1.55	2.20
CHTPW 3340-151M	150±20%	0.1V/100K	3.0	0.34	1.35	1.90
CHTPW 3340-221M	220±20%	0.1V/100K	2.5	0.44	1.00	1.50
CHTPW 3340-331M	330±20%	0.1V/100K	2.3	0.70	0.90	1.30
CHTPW 3340-471M	470±20%	0.1V/100K	2.0	0.95	0.75	1.00
CHTPW 3340-681M	680±20%	0.1V/100K	1.5	1.20	0.55	0.90
CHTPW 3340-102M	1000±20%	0.1V/100K	1.3	2.00	0.50	0.70

### CHTPW5022 Series:

Part Number	Inductance (μH)	Test Frequency (Hz)	SRF (MHz) Typ	DC Resistance ( ) Max	I rms (A)	I sat (A)
CHTPW 5022-1R0M	1.0±20%	0.1V/100K	140	0.009	8.60	20
CHTPW 5022-1R5M	1.5±20%	0.1V/100K	110	0.012	7.50	18
CHTPW 5022-2R2M	2.2±20%	0.1V/100K	75	0.014	7.10	16
CHTPW 5022-3R3M	3.3±20%	0.1V/100K	70	0.018	6.20	14
CHTPW 5022-5R6M	5.6±20%	0.1V/100K	45	0.020	5.30	12
CHTPW 5022-100M	10±20%	0.1V/100K	21	0.031	4.30	10
CHTPW 5022-150M	15±20%	0.1V/100K	16	0.036	4.00	8
CHTPW 5022-220M	22±20%	0.1V/100K	13	0.047	3.50	7
CHTPW 5022-330M	33±20%	0.1V/100K	11	0.066	3.00	5.5
CHTPW 5022-470M	47±20%	0.1V/100K	9	0.086	2.60	4.5
CHTPW 5022-680M	68±20%	0.1V/100K	6.5	0.13	2.30	3.5
CHTPW 5022-101M	100±20%	0.1V/100K	5.7	0.19	1.80	3.0
CHTPW 5022-151M	150±20%	0.1V/100K	4.5	0.25	1.50	2.6
CHTPW 5022-221M	220±20%	0.1V/100K	3.7	0.38	1.20	2.4
CHTPW 5022-331M	330±20%	0.1V/100K	3.0	0.56	1.00	1.9
CHTPW 5022-471M	470±20%	0.1V/100K	2.7	0.85	0.82	1.4
CHTPW 5022-681M	680±20%	0.1V/100K	2.2	1.10	0.72	1.2
CHTPW 5022-102M	1000±20%	0.1V/100K	2.0	1.30	0.56	1.0

Other non standard Inductance value are available to meet your exact requirements.

- Note: 1. Inductance measured by LCR Meter HP 4284A.  
 2. DC Resistance measured by Milliohm meter HP4338B.  
 3. SRF measured by Network analyzer HP 4294/HP4291.  
 4. SRF is for reference only.  
 5. Temperature rise=40 max at I rms.  
 6. L/L0A=10% typical at I sat.